



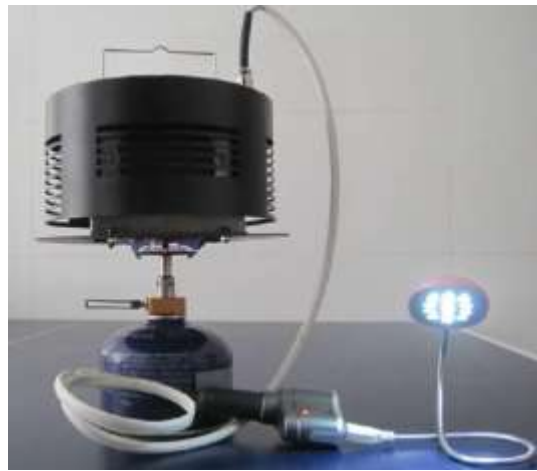
Email: [tecteg@rogers.com](mailto:tecteg@rogers.com)

Website: [www.Tecteg.com](http://www.Tecteg.com)

Direct line 905-751-1362

## Product Description:

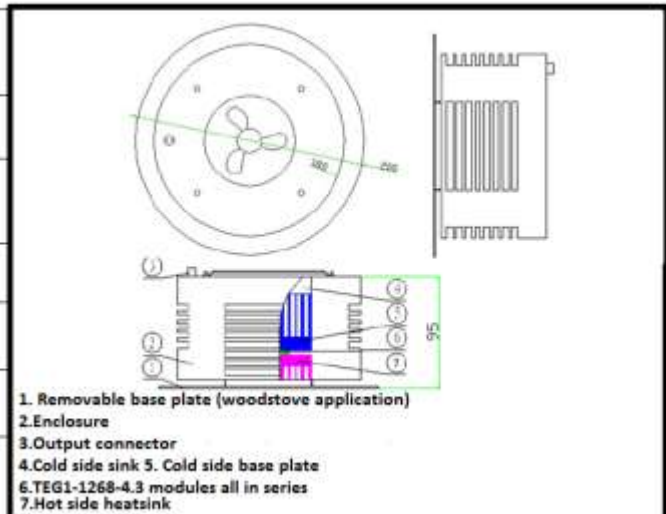
The TEG10W stove top TEG Generator is a small convenient lightweight generator, weighting only (3.3 lbs.) 1.5 Kg. The units nominal power output is 10 watts. The connector output comes with a standard 12VDC car lighter adapter as well as a USB connector rated at 5 VDC @ 500 ma for charging any standard mobile phone or rechargeable battery pack.



Removing the base plate allows the TEG to be placed on woodstoves for indoor lighting and powering any 12VDC load.

## Specifications :

PART NUMBER	TEG10W
Nominal Output power	10 watts
Output Voltage	12VDC Car Lighter Adapter 5VDC USD Port
TEG Modules	TEG1-1268-4.3 4 pieces
Size:mm and inches	200mm x200mmx 95mm 7.87" x 7.87" x 3.75"
Weight :	metric Imperial
	1.5 Kgs 3.3 lbs



Email: [tecteg@rogers.com](mailto:tecteg@rogers.com) 1- 905-751-1362

[www.Tecteg.com](http://www.Tecteg.com)

1-800-769-2395



Email: [tecteg@rogers.com](mailto:tecteg@rogers.com)

Website: [www.Tecteg.com](http://www.Tecteg.com)

Direct line 905-751-1362

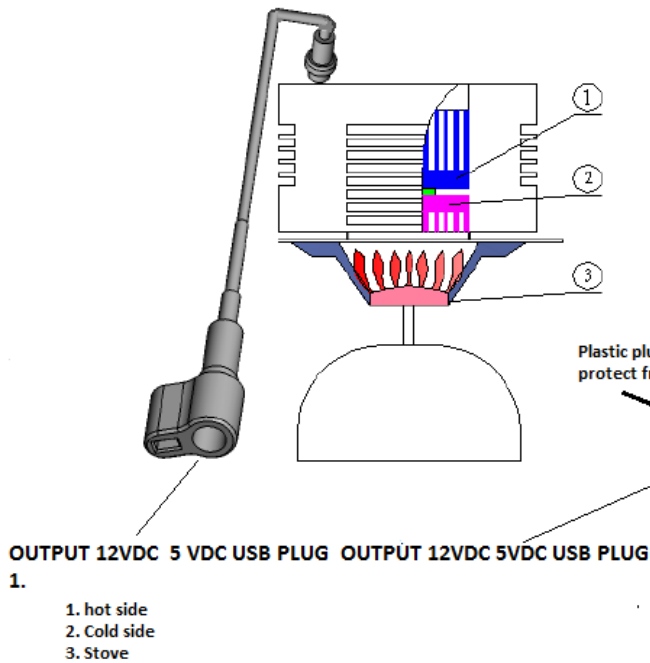


Fig 1

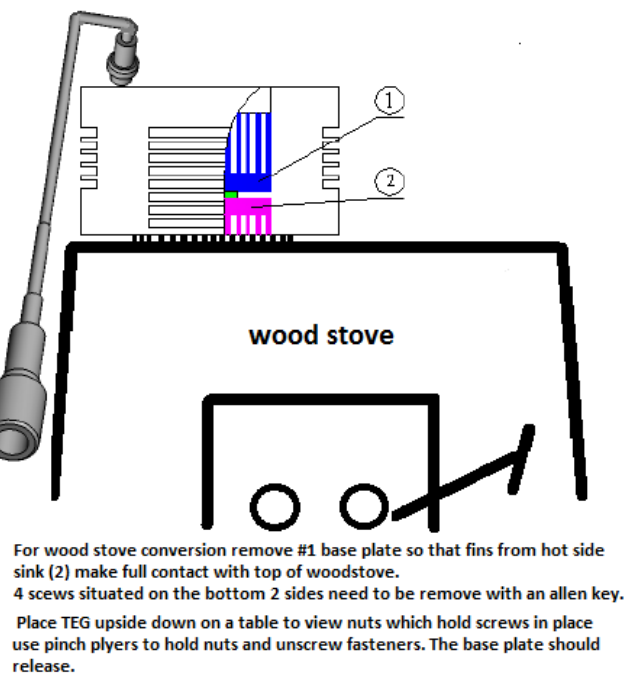


Fig 2

**Instruction:** Place TEG Generator on surface of either a propane stove fig 1 or woodstove fig 2 following instructions above. Approximately in 1 minute you should see the cooling fan begin to turn. After about 3-4 minutes you should have enough power to begin powering your electronic devices depending on heat source and intensity.

**Cautions:** Casing of unit will become extremely hot and can burn on contact do not touch with unprotected hand.

**Troubleshooting:** Always check to make sure fan is turning. If you find that the fan does not turn remove from heat source IMMEDIATELY and check that it is working properly.